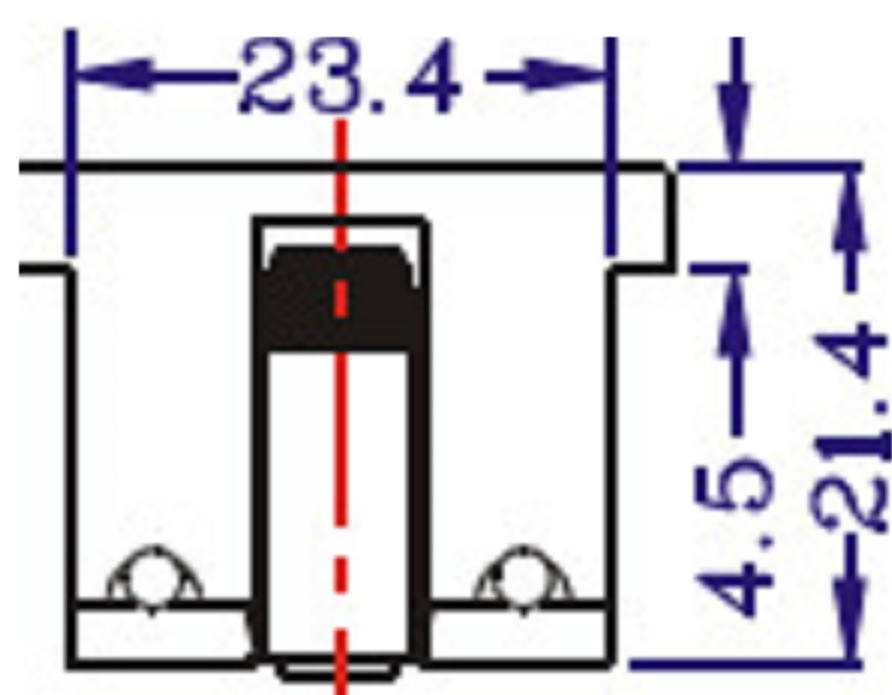
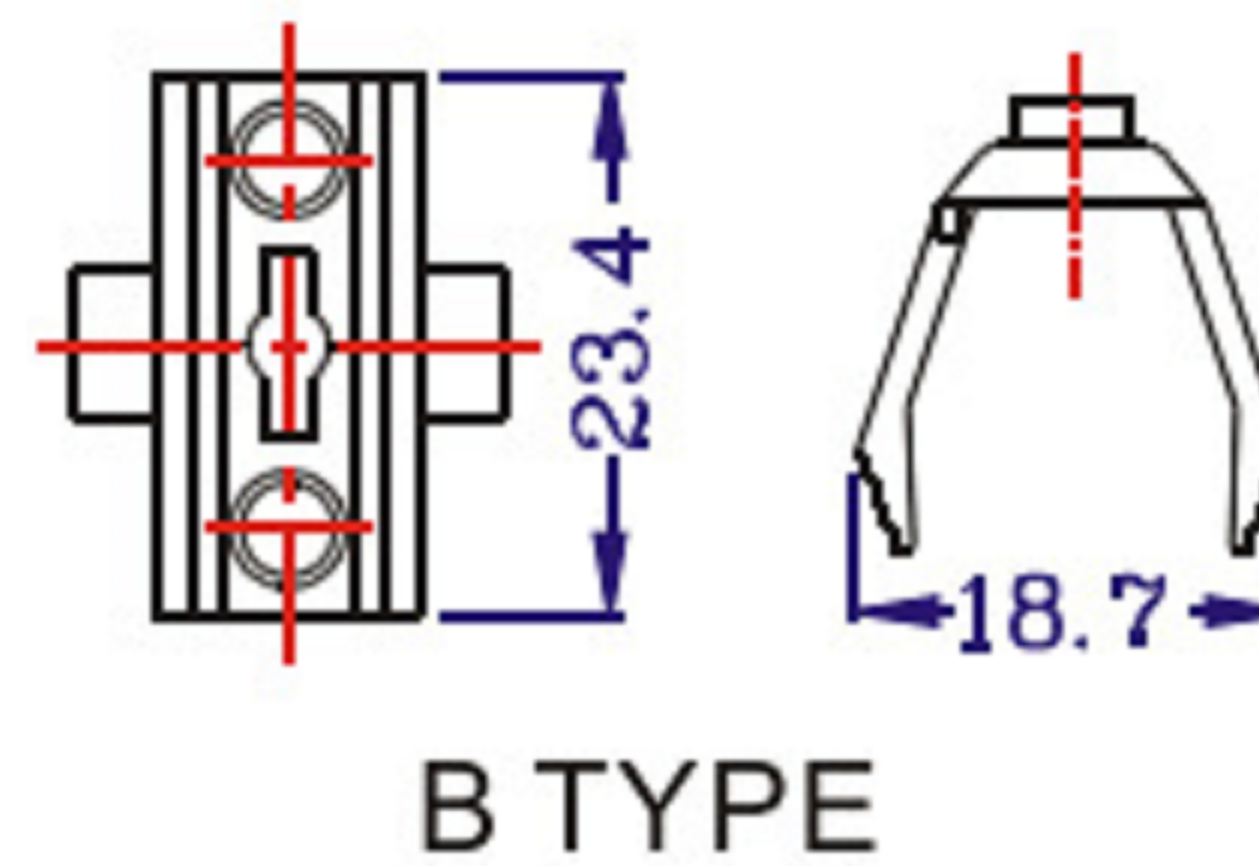
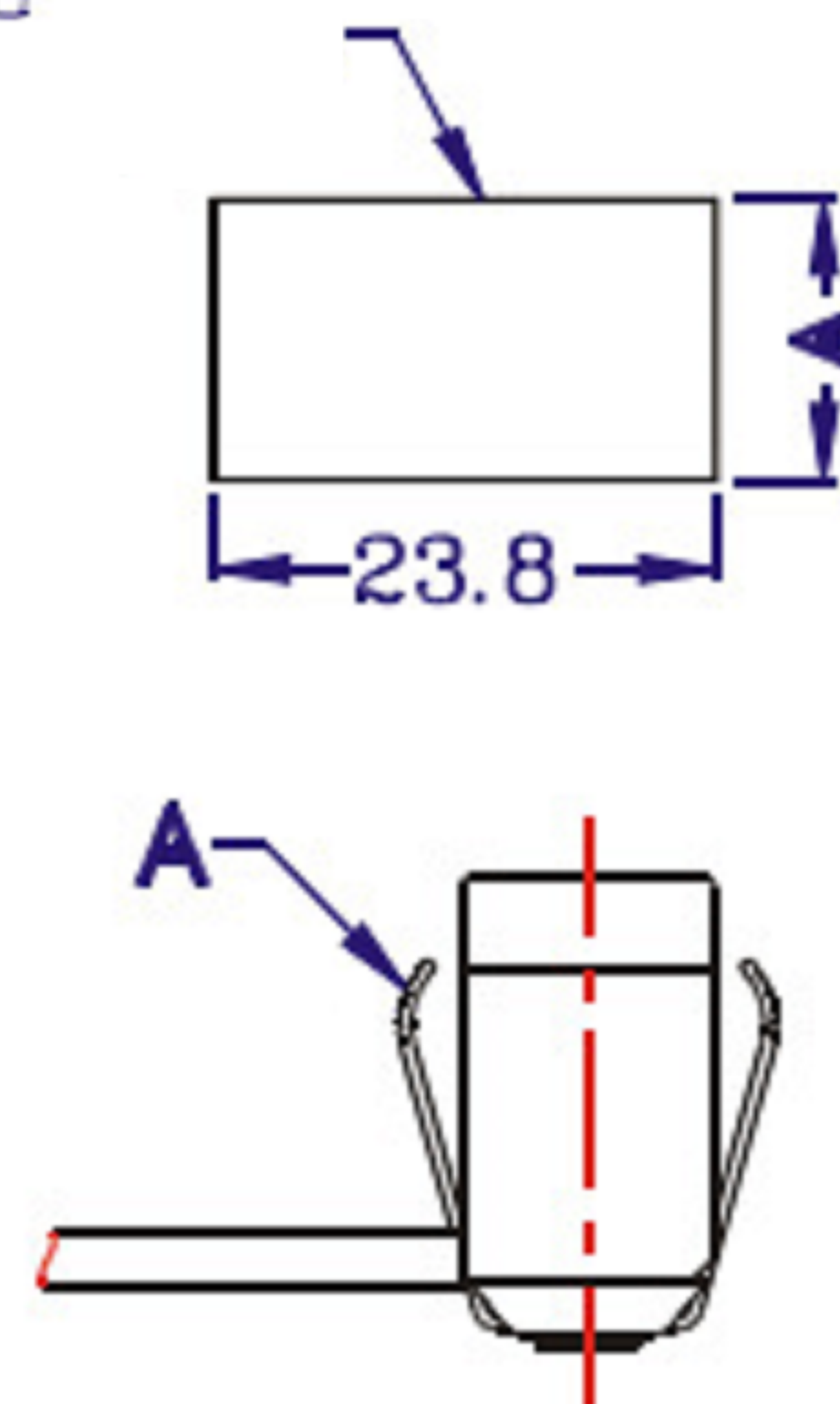
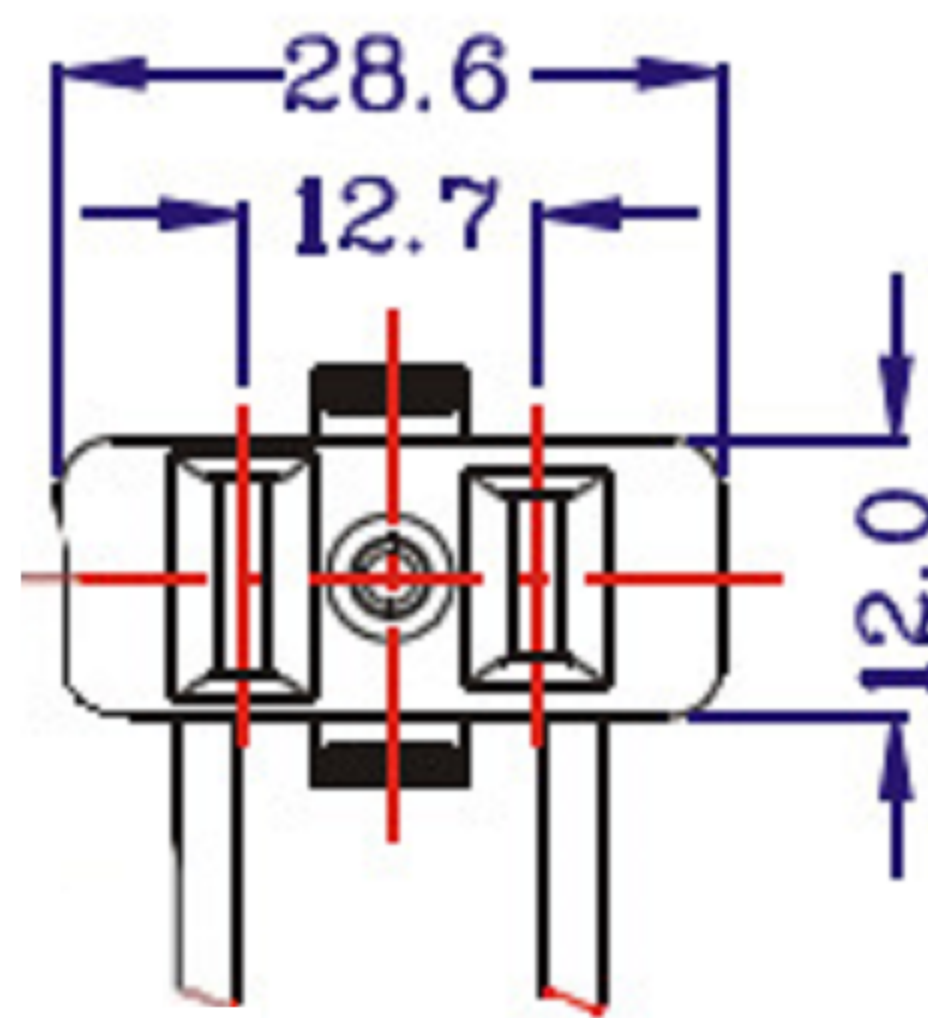




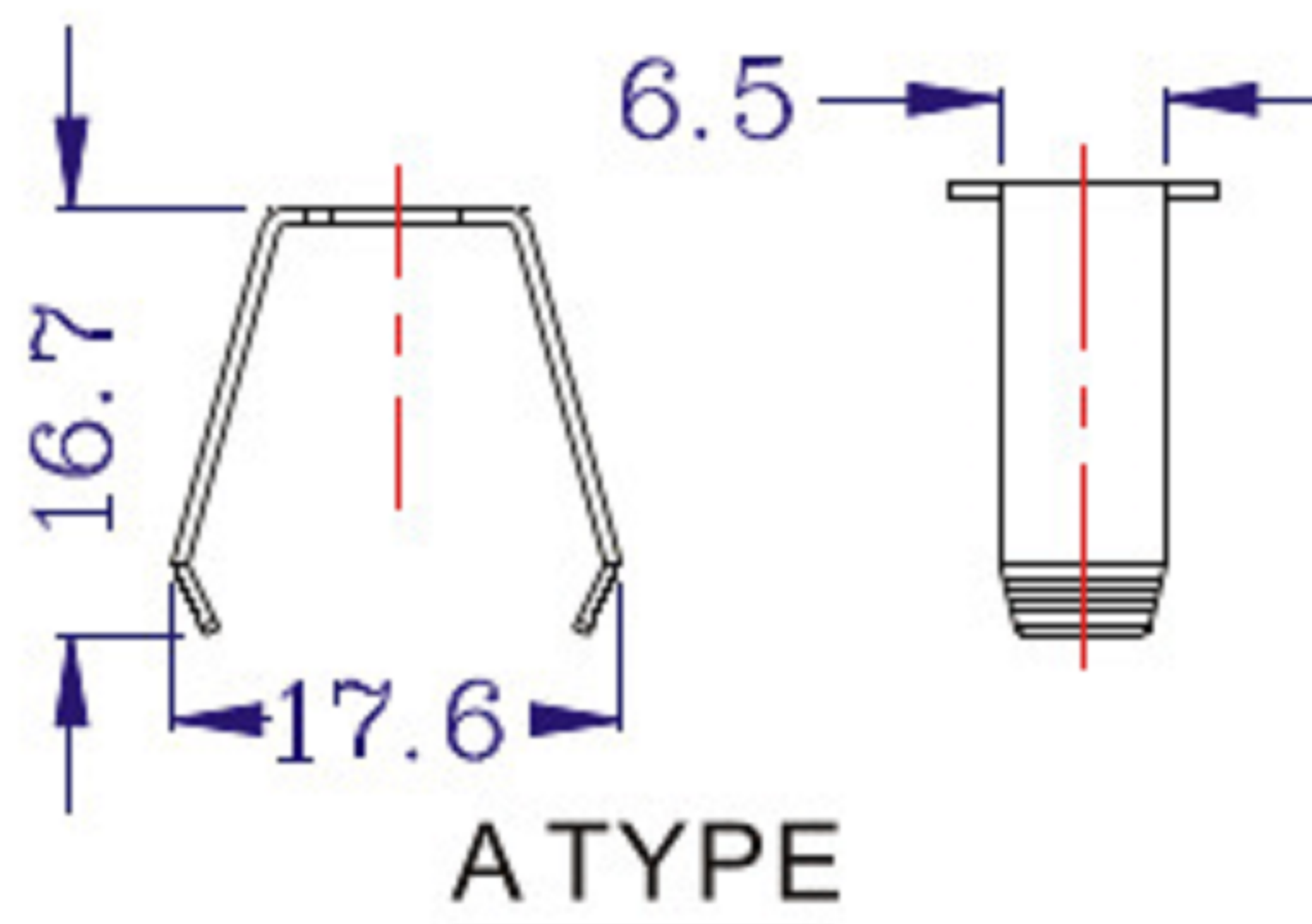
ZE-21-2

Assembly Hole
安裝孔

A	金屬彈扣
B	塑膠彈扣



A	T=1.0	T=1.2
	12.6	13.4



額定：15A 125V 14~16AWG
10A 125V 18AWG

Rating: 15A 125V 14~16AWG
10A 125V 18AWG

 東莞市高迪電子有限公司
DONG GUAN GAO DI ELECTRONICS CO., LTD

DRAWN BY: Ming Ming Zou	DATE 10/31/13	MAT'L	TITLE SWITCH
CHECKED BY: Ning Ning Su	DATE 10/31/13	FINISH	MODLE AC POWER SOCKET
APPROVED BY: Jia Xiang	DATE 10/31/13	SCALE 1:1	DWG NO. GD-SJ02
SHEET NO. 1 of 1		PART NO.	SIZE A4 VER R

TOLERANCE UNLESS OTHERWISE STATED:
Up to 5 ±0.2
Above 5 ~ 15 ±0.3
Above 15 ~ 30 ±0.4
Above 30 ~ 50 ±0.5
Angle ±0.3°

3RD. ANGEL'S

UNITS MM

ITEM NO.	DESCRIPTION	DRAWN	DATE
----------	-------------	-------	------